

Accessories



IPL, Grass catcher, Grass collector, 2001-09, 106 27 75-61

LTB48A

Grass catcher

Spare parts

Ersatzteile

Pièces détachées

Reserve onderdelen

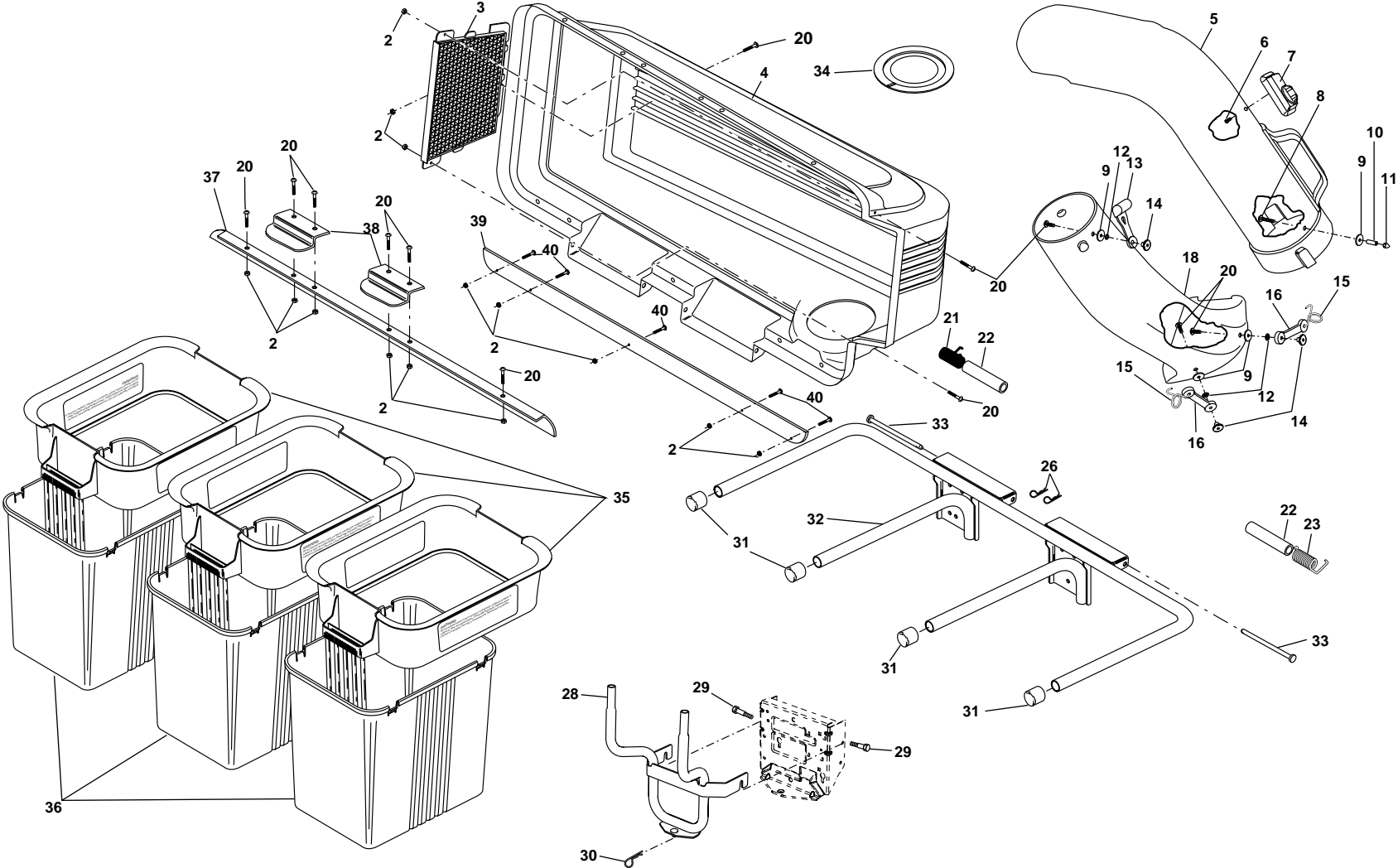
Repuestos

Reservdelar

REPAIR PARTS/PIÈCES DE RECHANGE

GRASS CATCHER - MODEL NUMBER LTB48A / RAMASSE-HERBE - NO. DE MODÈLE LTB48A

10



REPAIR PARTS/PIÈCES DE RECHANGE

GRASS CATCHER - MODEL NUMBER LTB48A / RAMASSE-HERBE - NO. DE MODÈLE LTB48A

| KEY NO. | PART NO. | DESCRIPTION | KEY NO. | PART NO. | DESCRIPTION |
|---------|------------------|----------------------------|---------|------------------|---|
| 2 | 532069180 | Nut, Crownlock #10-24 | 26 | 532124670 | Spring, Retainer |
| 3 | 532127533 | Screen, Cover | 28 | 532176996 | Support Assembly |
| 4 | 532134678 | Cover | 29 | 532176997 | Shoulder Bolt, Self Tapping |
| 5 | 532176741 | Chute, Upper | 30 | 532165898 | Spring, Retainer |
| 6 | 818021008 | Screw, Special #10-14x1/2 | 31 | 532174083 | Plug, Tubing End |
| 7 | 532140572 | Dump Bag Indicator | | | |
| 8 | 532087175 | Screw, #10-24 x 1-1/8 | 32 | 532176990 | Bagger, Frame |
| 9 | 819061216 | Washer 3/16x3/4x16 Ga. | 33 | 532128600 | Pin, Hinge |
| 10 | 532007206 | Spacer, Split | 34 | 532127534 | Gasket, Cover |
| 11 | 532060867 | Nut, Acorn #10-24 | 35 | 532129585 | Container, Top |
| 12 | 810071000 | Washer, lock | 36 | 532129586 | Container, Bottom |
| 13 | 532109808 | Latch, Chute | 37 | 532134637 | Seal, Cover |
| 14 | 532125004 | Nut, Weld | 38 | 532130895 | Latch Handle, Cover |
| 15 | 532130760 | Latch, Hook | 39 | 532155857 | Strip, Reinforcement |
| 16 | 532130759 | Rubber, Latch | 40 | 871141008 | Screw #10-24 x 1/2 |
| 18 | 532174345 | Chute, Lower | -- | 532104419 | Bag, 3.0 mil. 30 Gallon |
| 20 | 871161010 | Screw #10-24 x 5/8 | | | Trash (not included with bagger) |
| 21 | 532132796 | Spring, Cover L.H. (black) | | | Owner's Manual |
| 22 | 532140809 | Spacer, Cover | -- | 532178478 | |
| 23 | 532132983 | Spring, Cover R.H. (gray) | | | |
| | | Écrou auto-serrant #10-24 | | | Ressort de retenue |
| | | Écran de couvercle | | | Ensemble du support |
| | | Couvercle | | | Boulon autotaraudeuse |
| | | Glissière supérieure | | | Ressort de retenue |
| | | Vis spéciale #10-14x1/2 | | | Capuchon d'extrémité de tuyau |
| | | Indicateur de sac plein | | | |
| | | Vis #10-24 x 1-1/8 | | | Cadre de ramasse-herbe |
| | | Rondelle 3/16x3/4x16 Ja. | | | Goupille de charnière |
| | | Entretoise fendue | | | Garniture de couvercle |
| | | Écrou borgne #10-24 | | | Bac à gazon supérieur |
| | | Rondelle frein | | | Bac à gazon inférieur |
| | | Loquet de glissière | | | Sceau de couvercle |
| | | Axe de loquet | | | Poignée de loquet de couvercle |
| | | Crochet de loquet | | | Bande |
| | | Loquet de caoutchoc | | | Vis #10-24 x 1/2 |
| | | Glissière inférieure | | | Sac-poubelle; 3,0 mil. 30 gallon |
| | | Vis #10-24 x 5/8 | | | (N'y pas compris avec le ramasse-herbe) |
| | | Ressort de couvercle C.G. | | | |
| | | Entretoise de couvercle | | | |
| | | Ressort de couvercle C.D. | | | |

